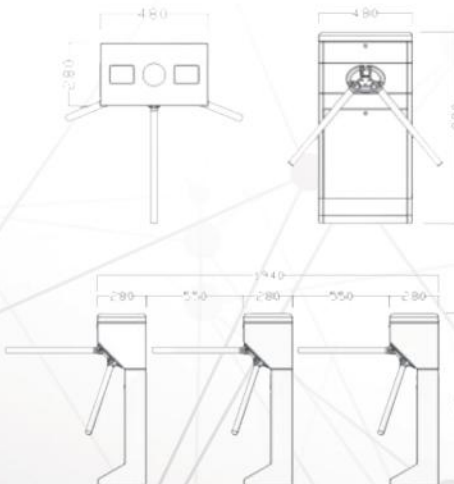


### ST-G121



#### Technical data:

1. Size: 480\*280\*980mm;
2. Unlock time: 0.2s ;
3. Pass rate: 35person/min;
4. Pass width: <math>\leq 550\text{mm}</math>;
5. Input : 100V~240V;
6. Driving voltage: 24v;
7. Enviroment: -25~+70C;
8. power consumption: 30w;
9. Input: 12v dry contact.



### ST-G148



#### Technical data:

1. Size: 1200\*280\*980mm;
2. Unlock time: 0.2s ;
3. Pass rate: 35person/min;
4. Pass width: <math>\leq 550\text{mm}</math>;
5. Input : 100V~240V;
6. Driving voltage: 24v;
7. Enviroment: -25~+70C;
8. power consumption: 30w;
9. Input: 12v dry contact.

